

Keep safe



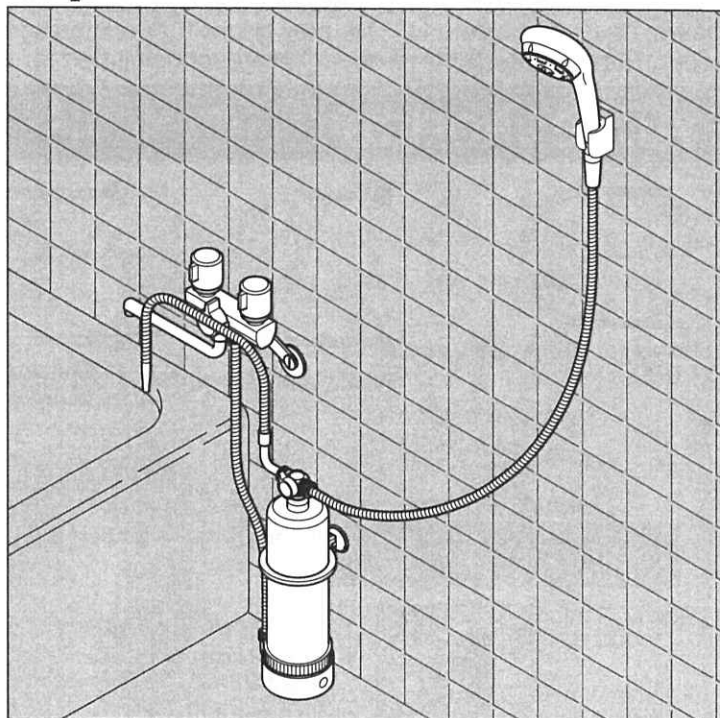
- Please read this manual carefully and thoroughly before operation
- This unit must be used correctly, according to the manufactures instructions
- Please keep this manual in a safe place for future reference

MINERAL ION WATER
ANESPA
Mineral ion water Generator

ANSP-01

Directly connected to tap water type

Operation Manual



Contents

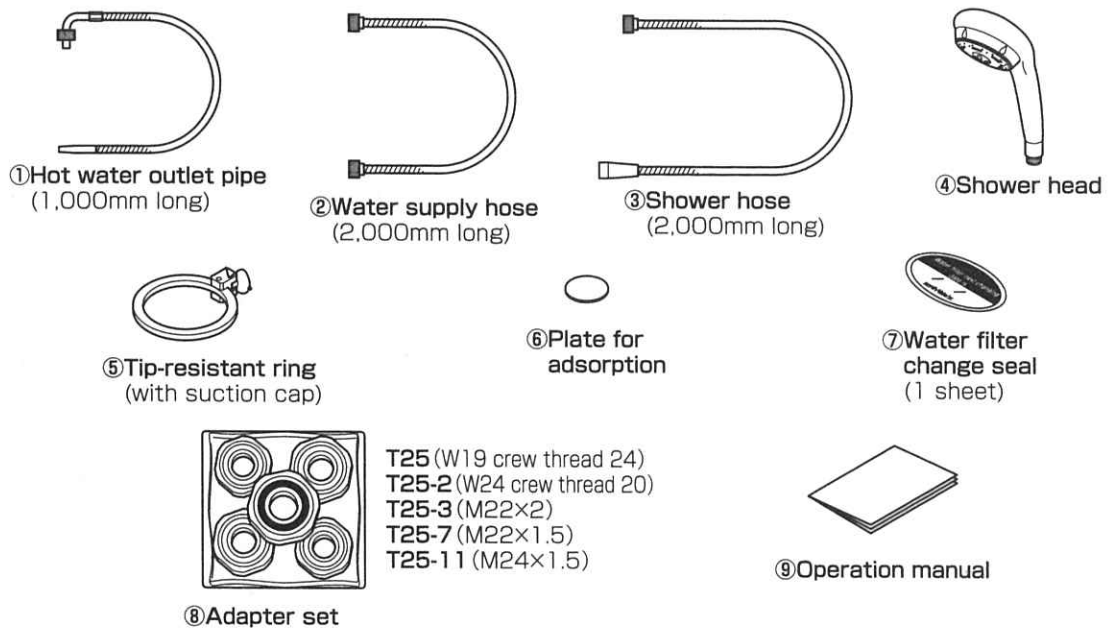
1	Preparation on safety	1
2	Accessories	1
3	Option (not included)	1
4	Structure and name of parts	2
5	Installation procedure	3~5
6	How to use	5
7	Standard specifications	5
8	Replacement the clean water cartridge/ ceramic cartridge	6
9	After-sales Service	Back of the book

Thank you very much for purchasing our <ANESPA>.
Please read through the "Operation Manual" carefully
for your safety before using the product.
Please keep this manual in a safe place for future use.

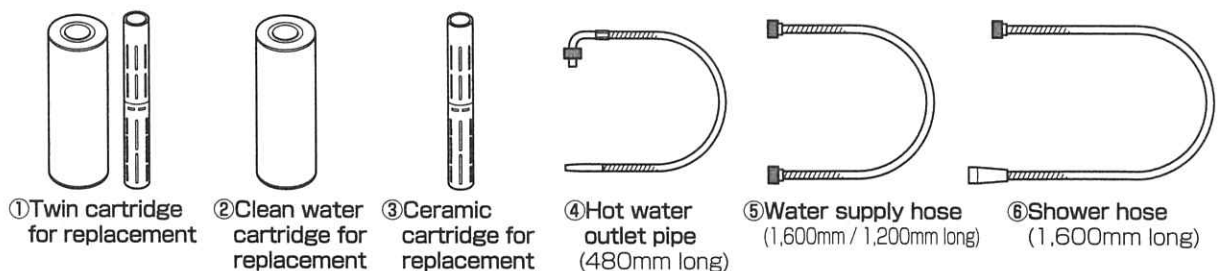
1 Preparation on safety

- Before using this product or new cartridge, please discharge the water for two or three minutes.
- As the water having passed through the unit remove the chlorine, use it early without long storage.
- Don't let the water not compatible with Water Supply Law to pass through the unit. This may constitute a limiting factor of the original function of this product. Please note that we accept no responsibilities for such case.
- At the occasion of initial watering, some muddiness and bubbles appear, however, there is absolutely no harm to the human body.
- Don't freeze the water in the unit. During the winter season, if there is a fear of freeze-up, please let small quantity of water through.
- Though this product is designed for warm water, don't pass hot water (60°C or more) through.
- After passing water through, the unit increases in weight significantly. If you turn over or drop this product, this may lead to accident. Always fix the tip-resistant ring to the wall surface securely and attach it to the unit.
- If that is the case of turning-over in the wash place, install the location where there is no harm.
- If the unit has been unused for 2~3 days, let water flow 1~2 minutes prior to use.
- For the prevention of accident such as burn injury, before passing water through the unit, always adjust the water temperature and then use this product.
- When water supply works is being performed in the vicinity of installation location or rusty water appears, never use this unit. This may constitute a limiting factor of the original function of this product. Please note that we accept no responsibilities for such case.

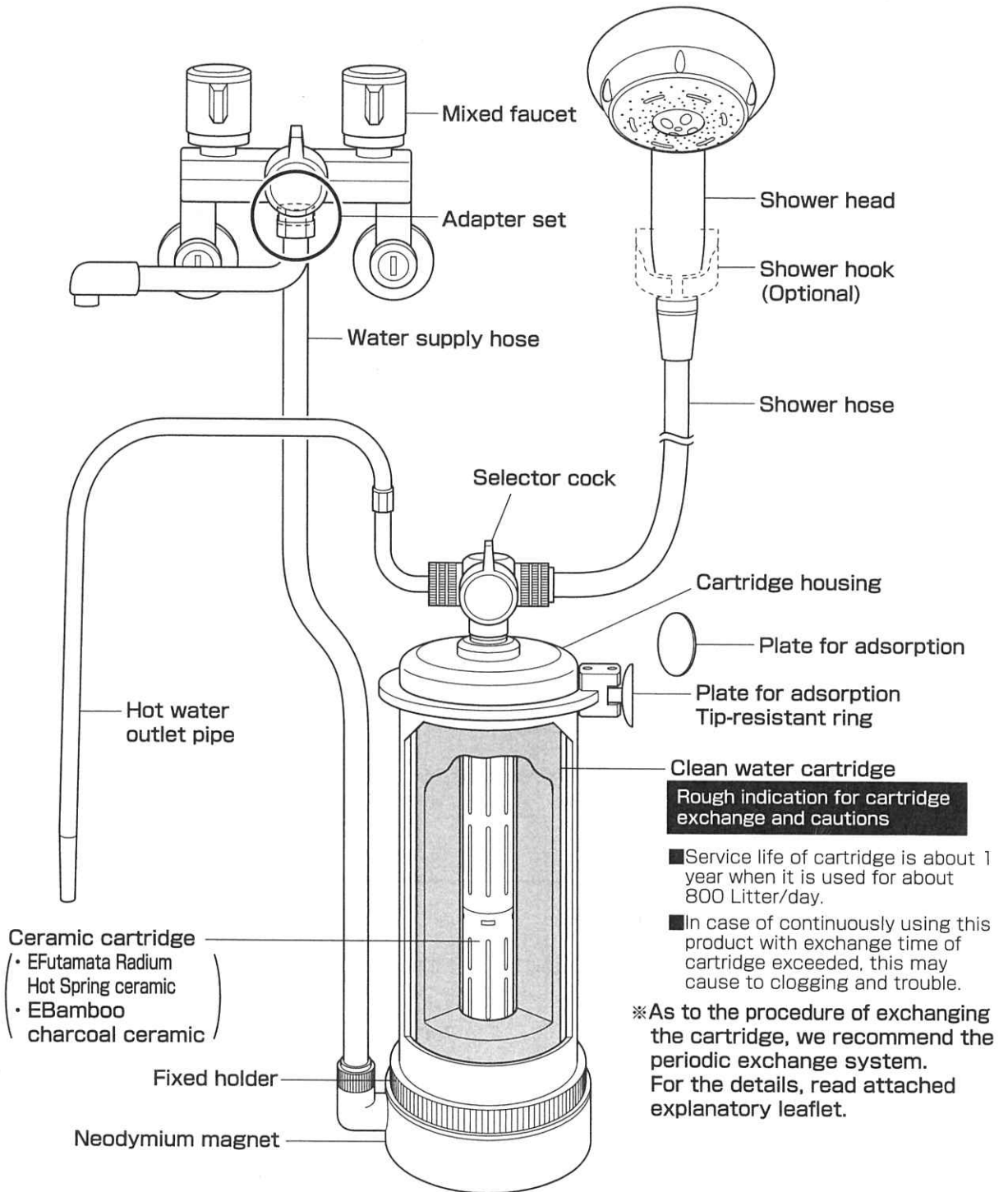
2 Accessories



3 Option (not included)

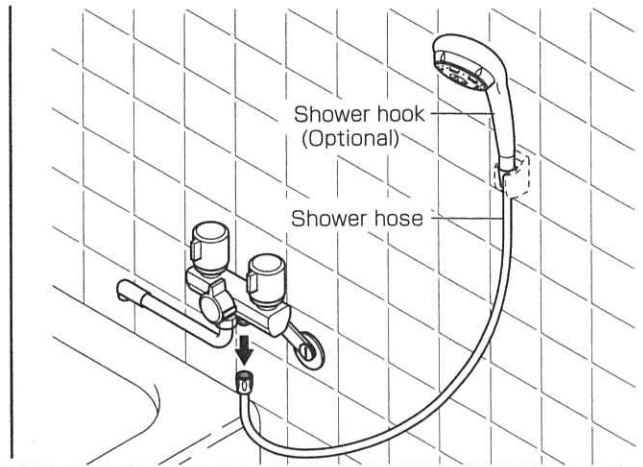


4 Structure and name of parts



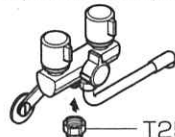
5 Installation procedure

1 Remove existing shower hose.

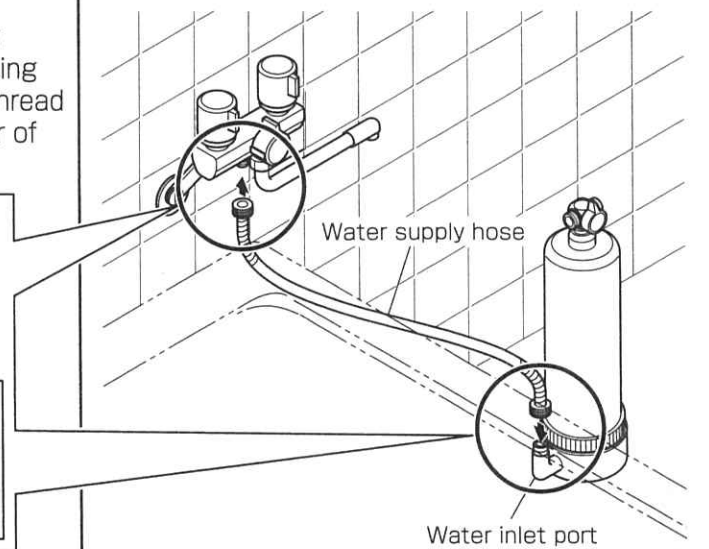


2 Install the attached water supply hose to the water inlet port at the unit and original mounting port of shower. At connecting water supply hose to the original mounting port of shower, when bore diameter of thread does not match, please use the adapter of attached mixed faucet side.

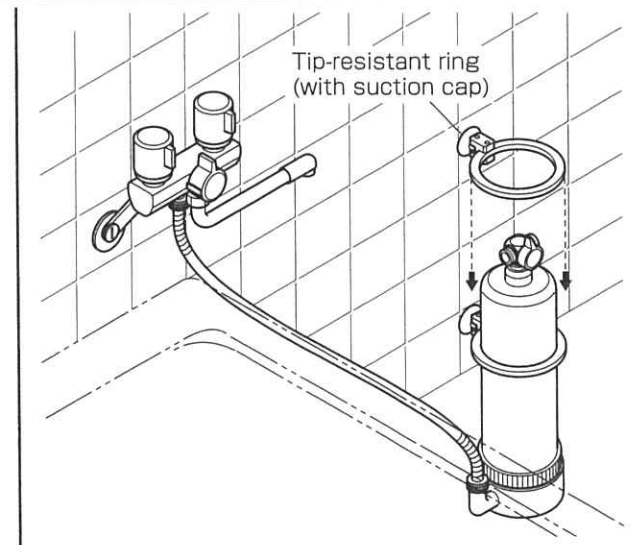
Installation procedure of adapter of attached mixed faucet side



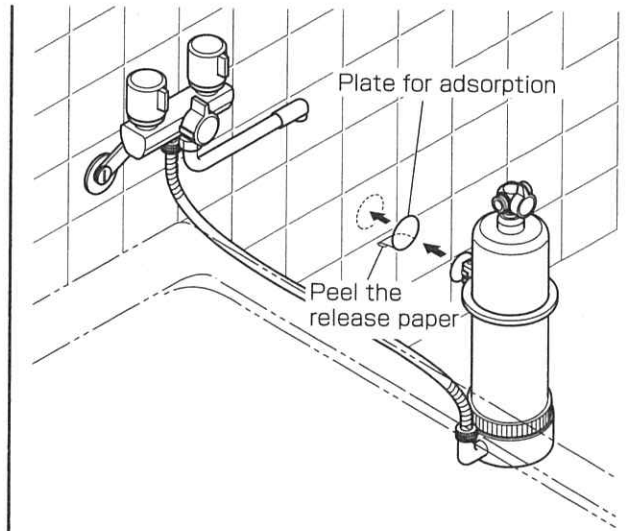
T25-2 (W24 crew thread 20)	T25-3 (M22 x 2)
T25-7 (M22 x 1.5)	T25-11 (M24 x 1.5)



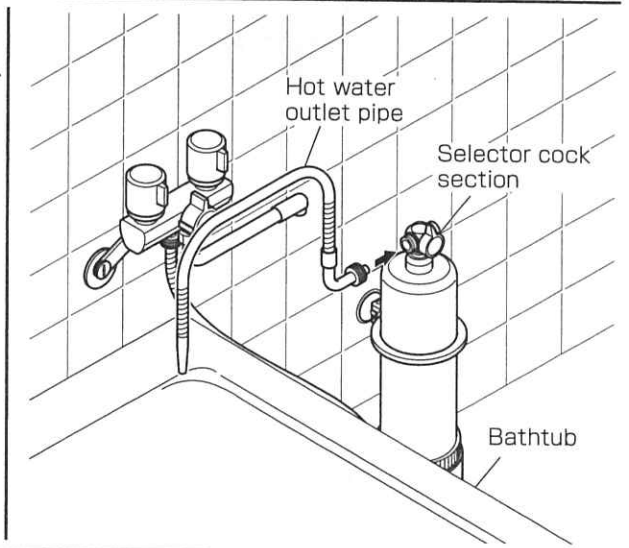
3 Fit attached tip-resistant ring (with suction cap) to the unit. (At mounting tip-resistant ring, take aim in advance at the position installing the unit.)



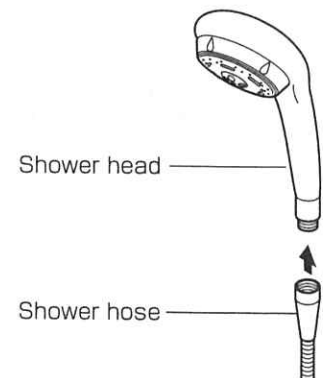
- 4** Peel the release paper on the plate for adsorption, put the suction cap on the wall surface and let absorb it securely.



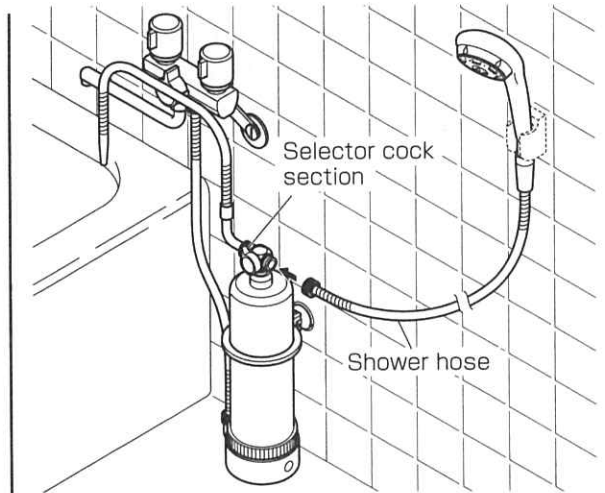
- 5** Install attached hot water outlet pipe on the bathtub side of selector cock section.



- 6** Connect attached shower head to the shower hose.



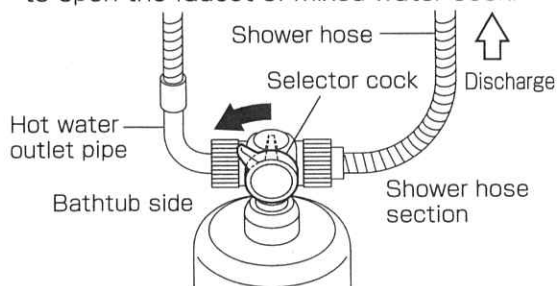
- 7** Install the shower hose to the shower side of selector cock section.



6 How to use

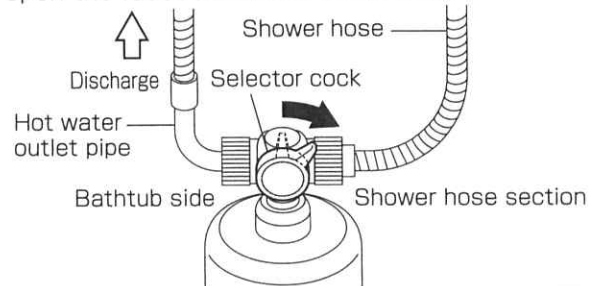
In case of using the shower

Turn over the selector cock to the left to open the faucet of mixed water cock.



In case of filling hot water (water) in bathtub

Turn over the selector cock to the right to open the faucet of mixed water cock.



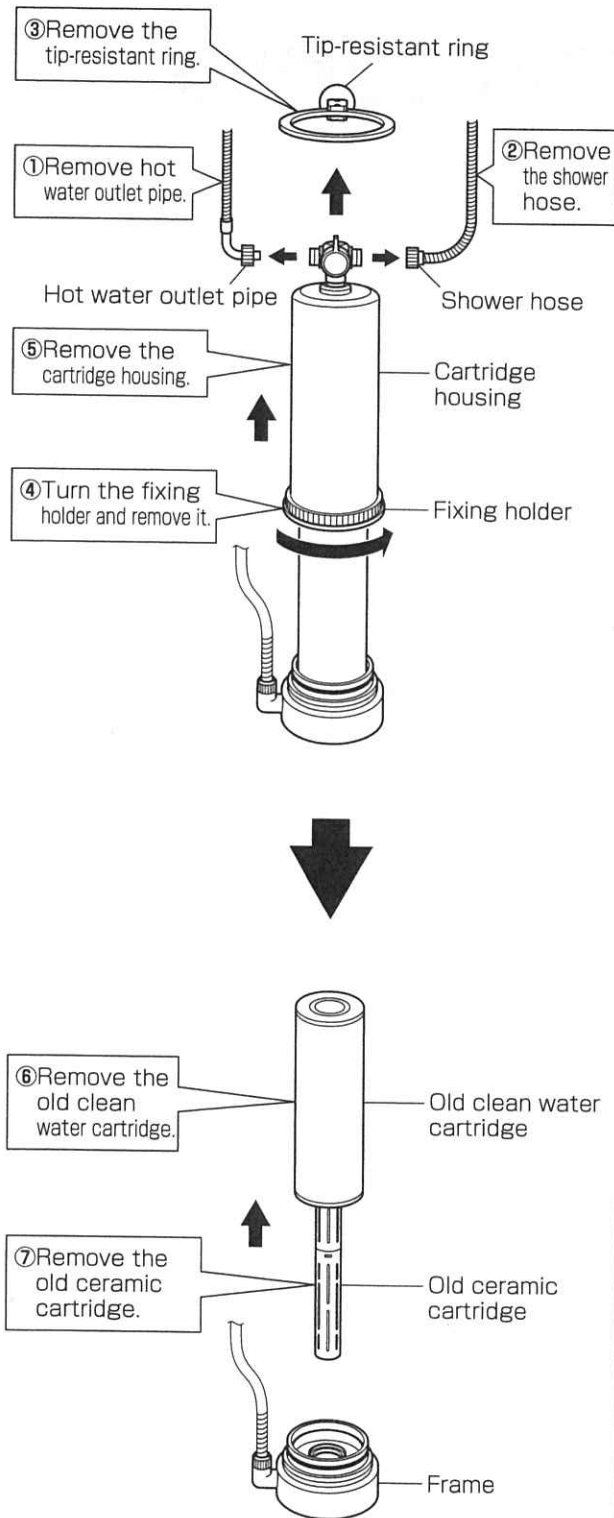
7 Standard specifications

Unit

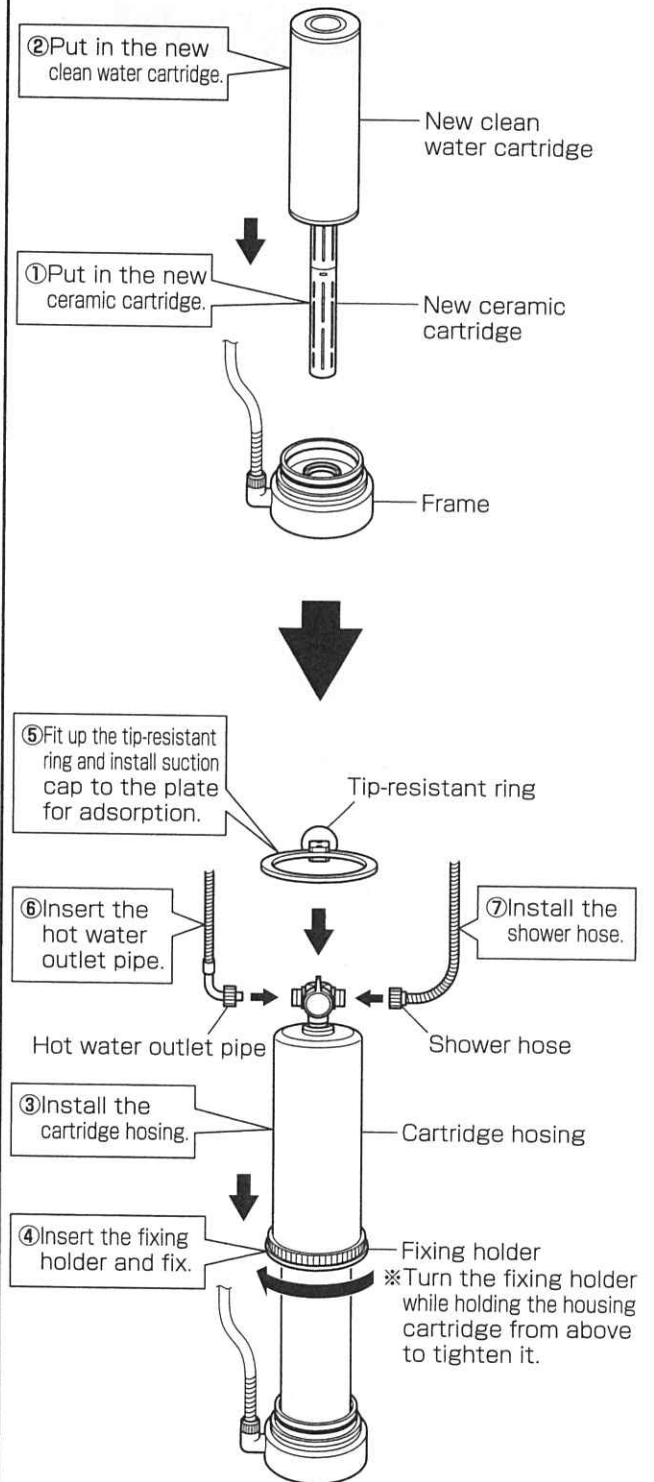
Product Name	ANESPA
Type	ANSP-01
Target substance of elimination	Residual chlorine removal
Filtering performance	Residual chlorine removal (1mg / L, 40°C) 250 to 300ton (Filtration performance varies depending on the water volume and water quality)
Filter material	Activated carbon fiber compact
Filtering capacity	10L/min. (0.1MPa, 40°C) Max. 15L/min.
Size	340mm (H) × 120mm (diameter) (except water supply connection)
Main unit weight	2.5kg (included twin cartridge)
Normal working pressure	0.05~0.5MPa
Maximum working temperature	60°C
Cartridge replacement period	Clean water cartridge About 1 year (replacement timing varies depending on the water quality and quantity consumed) Ceramic cartridge About 3 years (replacement timing varies depending on the water quality and quantity consumed)
Accessories of this unit	Hot water outlet pipe (1,000mm), Water supply hose (2,000mm), Shower hose (2,000mm), Shower head, Tip-resistant ring (with suction cap), Plate for adsorption, Water filter change seal, Adapter set, Operation manual

8 Replacement the clean water cartridge/ceramic cartridge

How to remove



How to install



9 After-sales Service

Warranty

- Please make sure that the date of purchase and your dealer's name are entered on the accompanying Warranty card. Keep it in a safe place.

Warranty card. Keep it in a safe place.

- The warranty period of this product is 5 years from buying day.
- For repairs, please contact your local dealer.
(Please read the guarantee conditions carefully, as some repairs may not be covered under the warranty, depending on the situation.)

⚠ Caution ※You may be charged if your repair are for the following reasons.

1. Trouble resulting from handling in a manner that is not specified in the "Operation Manual".
2. Trouble or damage due to use of water other than municipal drinking water.
3. Trouble or damage due to natural disaster, such as, earthquake, fires or floods.
4. Dropping the product or caused in any traffic accident during transportation.
5. Replacement of consumable parts.
6. Failure to fill in the "Date of purchase" and "User's Name" and "Dealer's Name" in the warranty form.
7. Purchaser's failure to submit warranty card.

If you need to repair after warranty expiration

- Contact your local dealer. Repair may be available upon request at purchaser's expense.

Others

- If you have any questions about the product, please contact your dealer.

⚠ Warning



In no case should the product be modified, overhauled or repaired by purchase, as fire or electrical shock could result.

Any consequence of such behavior shall not be compensated by the maker.

※For questions and information, please contact your local dealer.

Los Angeles(US Headquarters)
tel.1-310-542-7700 fax.1-310-542-1700
New York
tel.1-718-784-2110 fax.1-718-784-2103
Chicago
tel.1-847-437-8200 fax.1-847-437-8201
Texas
tel.1-972-722-7499 fax.1-972-722-7402
Florida
tel.1-407-601-5963 fax.1-407-730-3335
Seattle
tel.1-425-640-2222 fax.1-425-672-8946
Honolulu
tel.1-808-949-5300 fax.1-808-949-5336
Vancouver
tel.1-604-214-0065 fax.1-604-214-0067
Toronto
tel.1-905-507-1200 fax.1-905-507-1233
Mexico
tel.52-81-8242-5500 fax.52-81-8242-5549

Germany
tel.49-211-9365-7000 fax.49- 211-9365-7027
France
tel.33-01-4707-5565 fax.33- 01-8371-1706
Italy
tel.39-06-3330-670 fax.39-06-3321-9505
Australia
tel.61-2-9878-1100 fax.61-2-9878-1200
Philippines
tel.63-2-519-5508 fax.63-2-519-1923
Singapore
tel.65-6720-7501 fax.65-6720-7505
Malaysia
tel.60-3-2282-2332 fax.60-3-2282-2335
Indonesia
tel.62-21-2992-3111 fax.62-21- 2992-8111
Hong Kong
tel.852-2154-0077 fax.852-2154-0027
Taiwan
tel.886-2-2713-2936 fax.886-2-2713-2938

Korea
tel.82-2-546-8120 fax.82-2-546-8127
Sapporo
tel.81-11-223-5678 fax.81-11-223-5680
Tokyo
tel.81-3-5205-6032 fax.81-3-5205-6035
Osaka
tel.81-6-6345-4132 fax.81-6-6345-4142
Shikoku
tel.81-897-58-4115 fax.81-897-58-4116
Fukuoka
tel.81-92-481-4132 fax.81-92-481-4142
Okinawa
tel.81-98-878-4132 fax.81-98-878-4141
Nago
tel.81-980-51-0616 fax.81-980-51-0628
Manufacturer:
Enagic, Inc.
tel.81-72-893-2290 fax.81-72-893-8007

Made in Japan. 2014.01
46-0023B

Before use Directions for the use of shower head

Caution



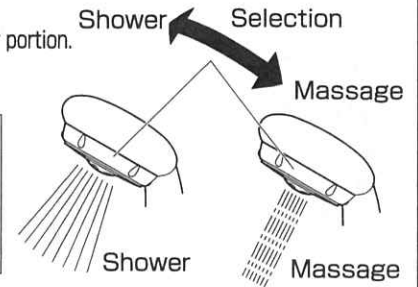
Do not have an impact on/drop down a plated shower head. Failure to do so will cause a surface of plating on shower head to break and lead to injury. Should the surface of plating on shower head breaks, replace the shower head with new one.



Selection between shower and massage is available. Adjustment among shower, mixing and massage can be made by rotating a selector portion. Use the shower head with the selector portion set to your preferred position.

Caution

- Massage effect is not obtainable if feed-water/hot-water supply pressure is low.
- Fluctuation in water pressure may occur depending on hot-water supply equipment (if there is a big difference between feed water and hot water supply pressure) and change in hot water temperature during use. Be aware that hot water could lead to burn.



Caution

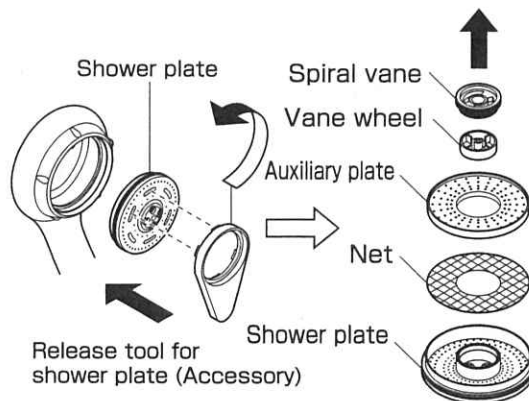
After selection from shower to massage and stopping water supply, drops of water may continue from the shower head for a certain time. Said drops are residual water in the shower head. Then, such phenomenon does not represent abnormal condition. Dripping water is attributable to either loose closing of handle or trouble in valve opening/closing unit of water faucet. When such phenomenon is the one for a given length of time immediately after use, it is not attributable to loose closing, wear nor trouble. Water in the shower head accumulates due to the surface tension on a spray plate. Surface tension may go down due to a vibration or change in atmospheric pressure as a result of opening and closing of bathroom door and water flows off in drip-drop. ※If you want to drain residual water, give the shower head a good shake.



Everyday care and cleaning How to clean the shower head

Cleaning a shower plate

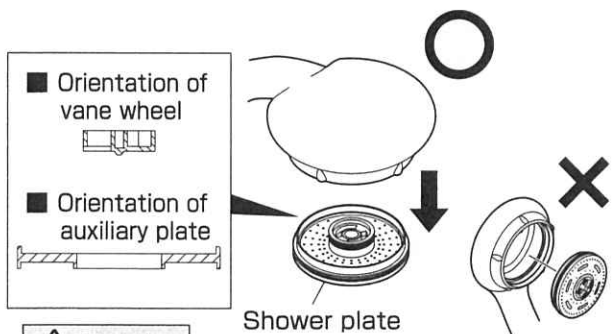
Removal of shower plate enables cleaning of holes. Press a release tool for shower plate (accessory) against the shower plate, gives it a turn to the let to release it and then clean respective parts.



Mounting the shower plate

■ Orientation of vane wheel

■ Orientation of auxiliary plate



Caution

- Insert the vane wheel into the shower plate with convex of vane wheel down.
- Mount the shower plate from beneath. Mounting it from the side may result in dislocation of o-ring and normal selection threatens to become impossible.
- Be careful with flaw of o-ring and bite of dust.